

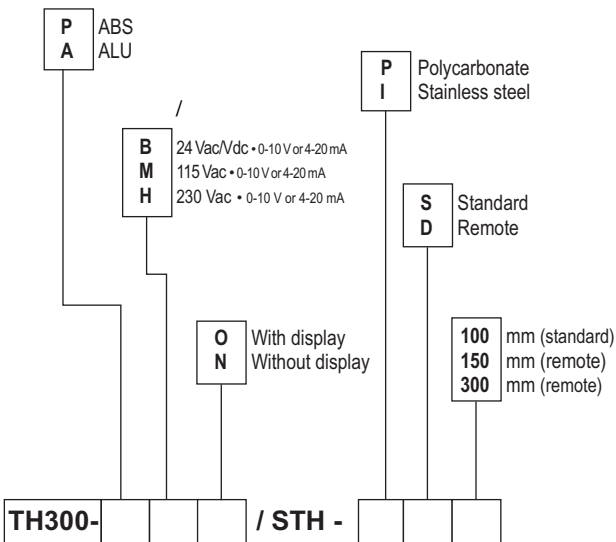
Humidity / Temperature transmitter **TH 300**



PC Stainless steel

ALU or ABS housing

WITH or WITHOUT display



- : 0 ~ 100%RH, -40 ~ +180 ()
- : , ° F
- : ±0.3% of reading ±0.25
- : t=9 V_{air}= 1m/s
- : 0.1
- : Pt 100 1/3 selon DIN IEC 751
- : air, neutral gases
- Smart-pro (PC Stainless steel)
- 1 ~ 4
- KIMO Class 200, 300
- 2 × 4~20mA (4wire) 0-10V, RS232, 2 RCR relays 6A/230 Vac
- 2 (LED) (buzzer 80dB)
- output
- MODBUS RS 485 ()
- ABS ALU IP65 /

[]

- : 0 ~ 100% RH
- : %RH
- : ±1.5% RH (3 ~ 98%RH & 15 T 25)
- : ±0.04 × IT-20%RH (T < 15 T > 25)
- : 10 (10 ~ 80%RH, V_{air}= 2m/s)
- : 0.1%RH
- : ±0.88% RH
- : capacitive
- : air, neutral gases

[]

- : -20 ~ +120 () / -40 ~ +180 ()
- : , ° F
- : ±0.3% of reading ±0.25
- : t=9 V_{air}= 1m/s
- : 0.1
- : Pt 100 1/3 selon DIN IEC 751
- : air, neutral gases

Functions

Class 300

2

Features / Functions	Measuring ranges	Units and resolutions
	2 ~ 900g/Kg	0,1 g/kg
	-80 ~ +180	0,1 °C
	-20 ~ +180	0,1°C
	0 ~ 15000Kj/Kg	0,1 Kj/Kg

Class 300

4

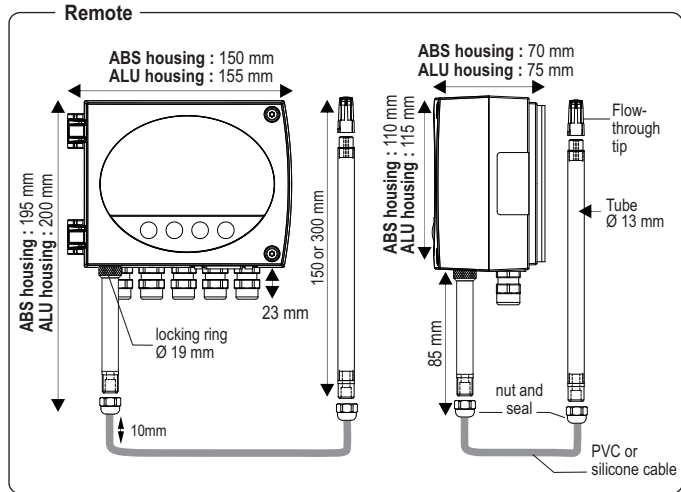
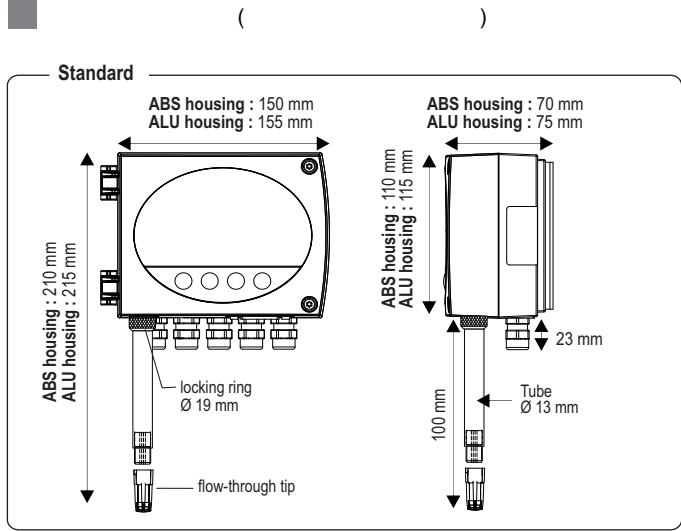
가

2

output : 1- : 0 ~ 100% RH, 2 - : 0 ~ 50



■ New SMART PRO



: -20 ~ +120
: 100mm
: 150, 300mm
: PVC 4.8mm 2m

Polycarbonate probes are supplied with a protection flow-through tip made of polycarbonate with stainless steel filter 25 (ref.EPP2).

: -40 ~ +180
: 100mm
: 150, 300mm
: 4.8mm 2m

Stainless steel probes are supplied with a protection flow-through tip made of stainless steel filter 25 (ref.EPI25).

■ Tip

Part number	EPP2	EPI25	EPI100	EPFI	EPFT
Tip	PC ⁽¹⁾ St. steel meshed 25 25m/s 120°C 95%RH	St. steel ⁽³⁾ St. steel meshed 25 25m/s 180°C 95%RH	St. steel ⁽³⁾ St. steel meshed 100 20m/s 120°C 100%RH 30mm	St. steel ⁽³⁾ St. steel sintered 10 30m/s 180°C 90%RH 30mm	PTFE ⁽²⁾ PTFE sintered 50 25m/s 180°C 90%RH 30mm

Applications

HVAC air-conditioning system	yes	yes			
Cold storage room			yes		yes
Industry	yes	yes	yes	yes	yes
Pharma plants / Electronics	yes	yes	yes	yes	yes
Dryer				yes	yes
Curing				yes	
Swimming-pool			yes		yes

Harsh environments

Water droplets					yes
Shavings/cuttings		yes		yes	
Dust			yes		
Chemical products					yes
Grease					yes

(1) PC : Polycarbonate - (2) PTFE : Teflon® - (3) St. steel: 316 L

- : ABS, ALU
- : ABS : V 0 as per UL 94
- : IP 65
- : 1~4
- 70 x 38mm, protection screen made of PMMA
- : ALU : 9mm max
- ABS : polyamide 7mm max
- : ABS 800g, ALU 1300g

Class 300 2 (LED) + 2 (contacts)

You can set :

- 1 2 set point (high / low)
- / 60
- alarm action (rising / falling)
- (buzzer)

: 24 Vac / Vdc ± 10%
115Vac 230Vac ± 10%, 50-60Hz

2 x 4-20mA 2 x 0-10V (4 wire)
maximum load : 500 Ohms (4-20mA)
minimum load : 1K Ohms (0-10V)

Galvanic isolation : input & output (115Vac/230Vac)
output (24Vac /Vdc)

: 5VA

(relays) : 2RCR relays 6A / 230Vac

: 2 LED

: buzzer

: EN 61 326

: 1.5mm2 max

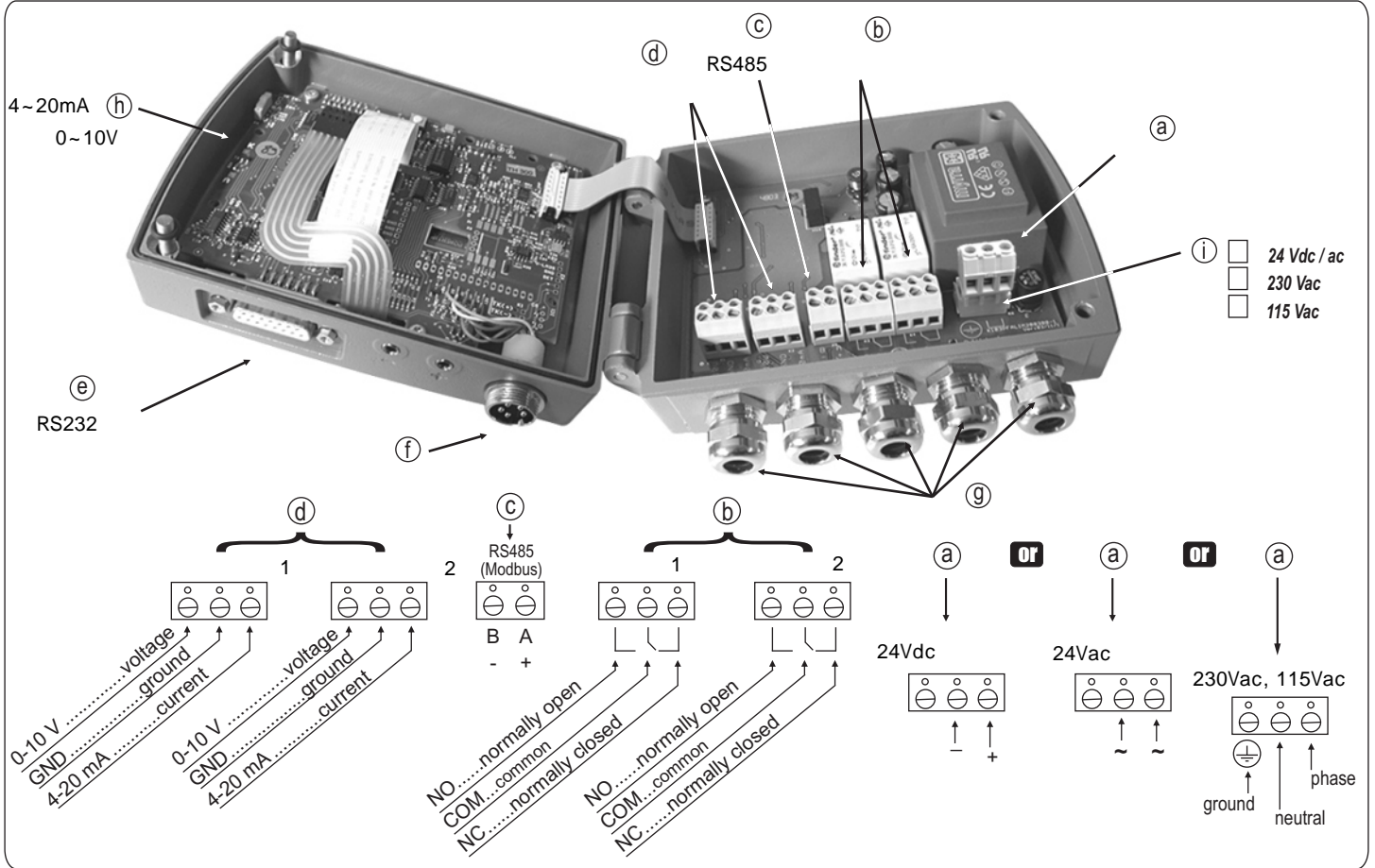
RS 485 : Digital :RTU Modbus protocol
2400 ~ 115200 Bauds

RS 232 : Digital : ASCII, proprietary protocol

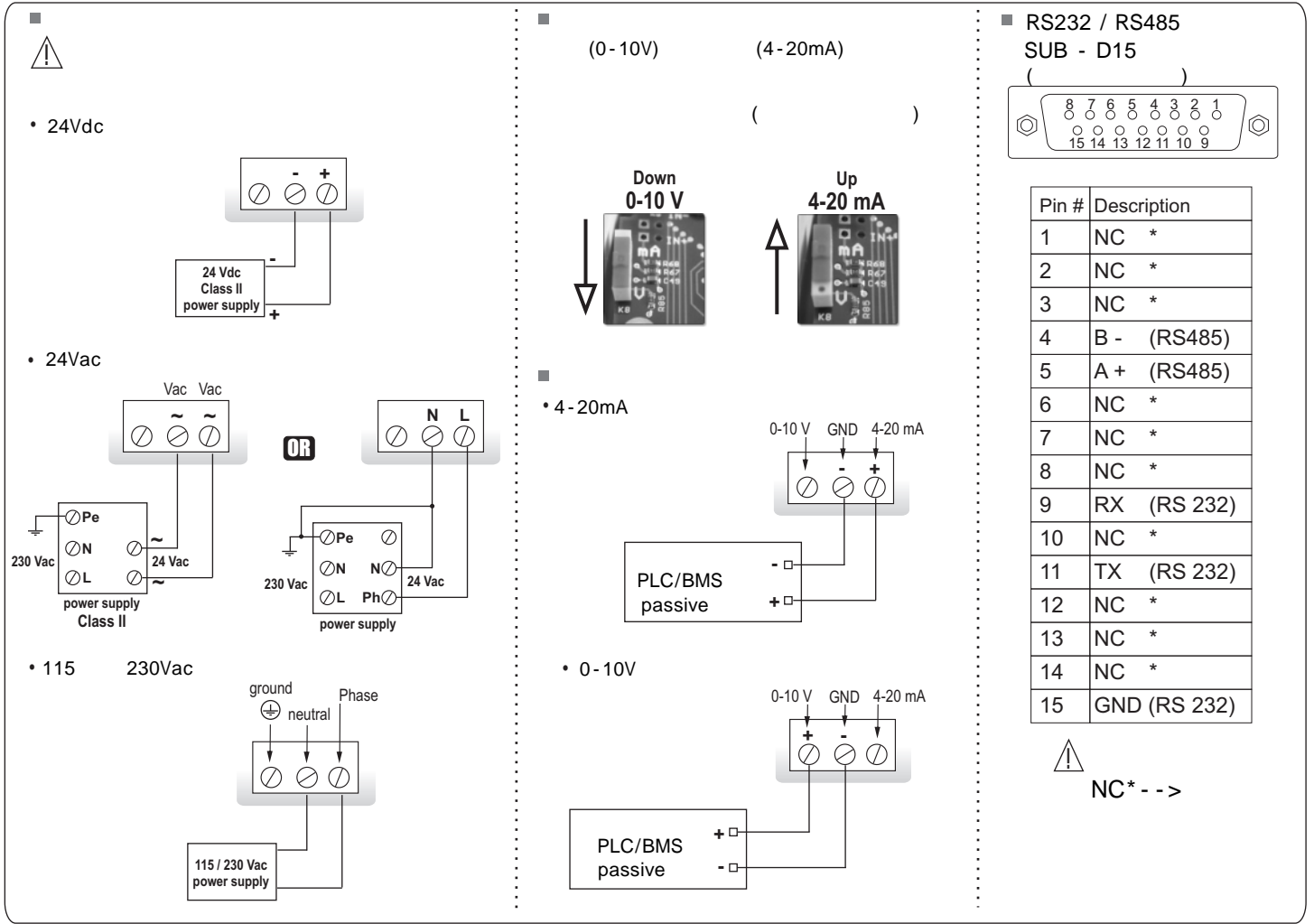
() : 0 ~ +50

() : -20 ~ +120 (polycarbonate)
-40 ~ +180 (stainless steel)

: -10 ~ +70



/ (NFC15-100 norm)



RS 232

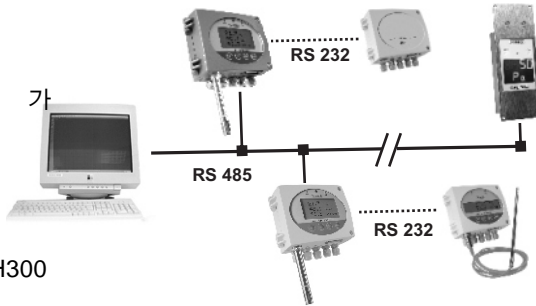
- TH300 KIMO Class200/300
2 RS 232
- TH300 (,)
CP200
- RS 232 LCC - 300
- RS 232 2m, 5m, 10m

가



Modbus network (RS 485 system)

- Class 300
RS485
- Class 200/300
RS 232 TH300
RS485
- RS 485
2 - wire , RTU MODBUS
PLC/BMS . TH300
MODBUS 1~2



가

RS 485

RS 232

TH300

2

PLC/BMS

가

가

4가

가

() :

() :

LCC - 300

MODBUS () :

PC

가

Center zero (-40 / 0 / +40)

Offset zero (-30 / 0 / +70)

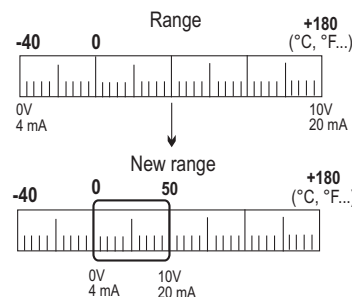
standard range (0 / 100)

가

10%

100%

가



Calibration

adjust

Site calibration :

The EHK 500 is a reference portable instrument which enables you to one point TH 200 and TH 300, by correcting any offset whilst measuring in a single ambient environment, housing both sensing elements. You can also adjust at several points.



0V, 5V, 10V
4mA, 12mA, 20mA

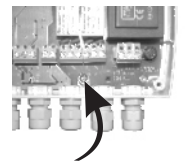
Certificate :

- Class 300 : adjusting cetficate calibration certificate :
- Smart - Pro : adjusting cetficate calibration certificate :

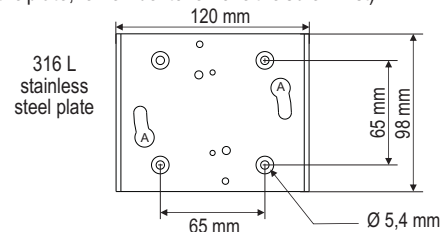
Mounting

To install the transmitter on a wall : fix the stainless steel plate to the wall (this plate is supplied with the transmitter).

Drill 8mm holes and mount the plate with the screws and wall-plugs supplied with the transmitter. Insert the transmitter on the plate (see A on the drawing shown below), by aligning it at 30°. Rotate its housing in clockwise direction until you hear a "click" which confirms that the transmitter is correctly installed. Then,



open the housing, lock the clamping system of the housing on the plate, with the screw as shown (to remove the transmitter from the plate, remember to remove the screw first).



- MODBUS RS 485
- LCC300 & RS232
- Calibration certificate



EHK 500

